

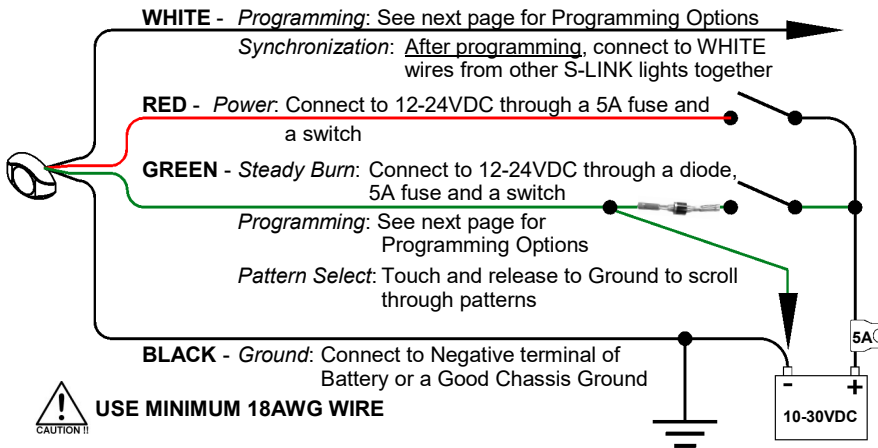
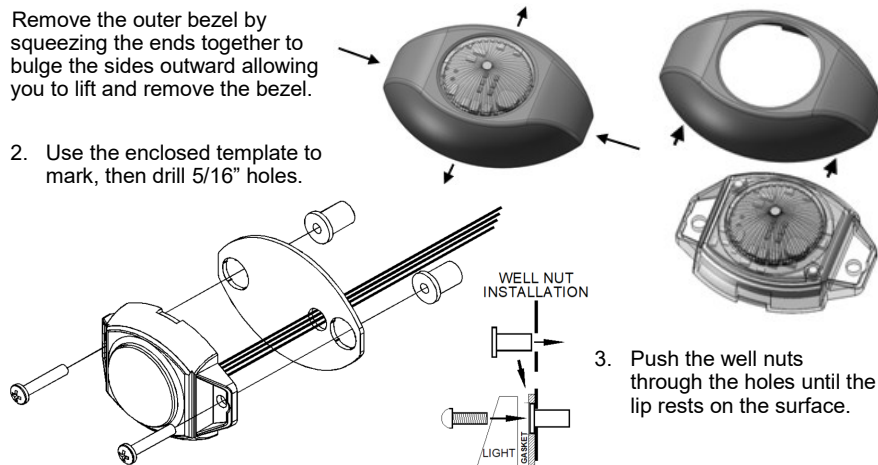
# DLS306 Omni-Directional LED Light

## Mounting

**CAUTION:** Installation on a metal surface is highly recommended for proper heat dissipation allowing the light to obtain full brightness.

Remove the outer bezel by squeezing the ends together to bulge the sides outward allowing you to lift and remove the bezel.

2. Use the enclosed template to mark, then drill 5/16" holes.



**Please Note:** If you are connecting the Green wire to a switch that is also connected to other lights, please install the enclosed diode on the Green wire using the butt splice, as shown below.

You do **NOT** need the diode if you will not be using the steady feature of this light and the green wire is left unconnected.



## Operation

- Applying power to the Red wire activates Flashing Mode.
- Applying power to the Green wire activates Steady Mode.
- By default, Steady Mode will override Flashing Mode.

## Programming Options

### FLASH PATTERN SELECTION

- Connect BLACK to Ground.
- Connect RED to switched +12-30VDC to activate the light in Flashing Mode.
- Touch and release the GREEN wire to Ground to scroll through the patterns.

Phase 1 Flash Pattern #	Phase 2 Flash Pattern #	Pattern Type	Pattern Description	Shortcut
1	13	K	Flicker †	← Pattern 1 (Phase 1) 3 Sec/1 Blink
2	14	L	Fast Doubleflash	
3	15	M	Tripleflash	
4	16	N	PSU Flicker	Pattern 13 (Phase 2) 9 Sec/3 Blinks
5	17	O	PSU Random	
6	18	F	Quadflash †	← Pattern 6 (Phase 1) 6 Sec/2 Blink
7	19	G	Quadflash w/Post-Pop †	
8	20	H	Singleflash †	Pattern 18 (Phase 2) 12 Sec/4 Blinks
9	21	I	Doubleflash †	
10	22	J	Variable AKA Delta-Omega	
11	23	C	Post pop	
12	24	E	Random	

† - Approved patterns for SAE J595 when properly configured

**Pattern Shortcuts:**  
Hold Green wire to ground for indicated time.

### ADDITIONAL PROGRAMMING OPTIONS

- Connect RED and WHITE to Power
- Hold the BLACK and GREEN to Ground

#### Release White

After	Result
2 Flashes	Toggles between Simultaneous (Solid Color) Mode and Alternating (Dual Color) Mode.
3 Flashes	Allow 1/2 to continue flashing when Steady enabled. (By default Steady overrides all flashing.) <b>Applies to Dual Color Mode Only</b>
4 Flashes	Do not flash Steady color side in Flashing Mode. (Both outputs flash by default.) <b>Applies to Dual Color Mode Only</b>

### To Flip-Flop The Steady Color And The Flashing Color (Dual Color Mode Only):

Activate the light by connecting RED to Power and BLACK to Ground. Hold the GREEN wire to Ground until the light flashes 5 times (approximately 15 seconds) and then release it.

If you have any questions concerning this or any other product, please contact our **Customer Service Department** at (585) 226-9787.

For additional information on this product, including expanded instructions and warranty information, scan the QR code to link to the corresponding web page.



**STAR**  
Safety Technologies by **Coatz**

455 Rochester Street Avon, NY 14414  
585-226-9500 (F) 888-478-2797  
www.StarSafetyTechnologies.com